



INFINIUM™ LED SERIES
3" LED DOWNLIGHT
 7 WATT MAX

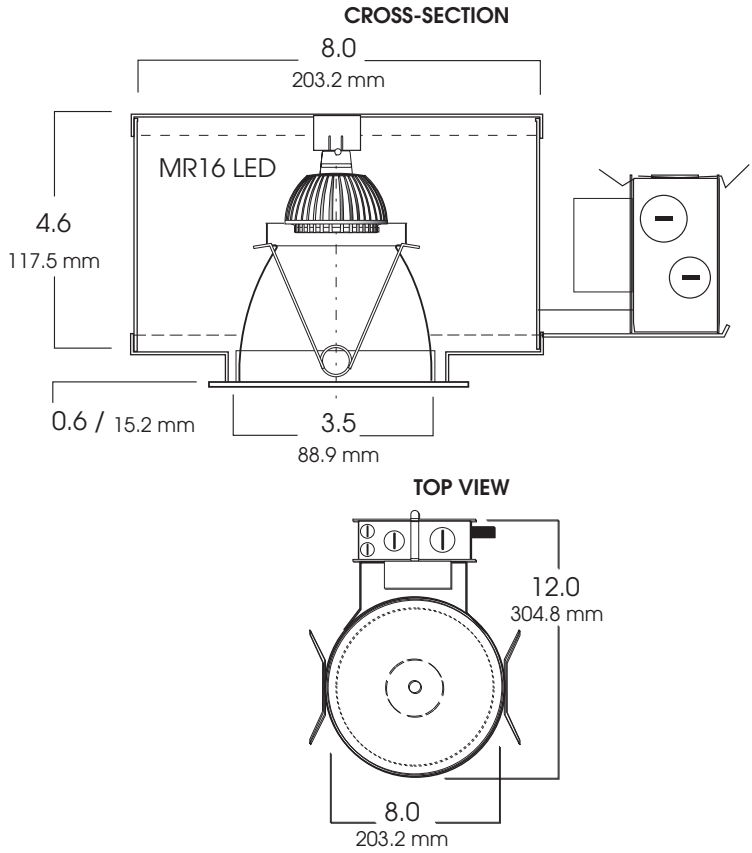


FEATURES & SPECIFICATIONS:

- 7 watt downlight series with MR16 LED.
- All LED modules and drivers are replaceable and up-gradeable.
- 50,000 hours rated LED life.
- Trim supports a variety of lens /accessory options.
- Intended for Non-IC new construction.
- Frame constructed of 20 ga. aluminum.
- Supplied with 27" long, heavy ga. galvanized steel bar hangers.
- Electronic driver 120 Volt standard.
- Manufactured and built to UL standard No 1598.
- For options detail, see page numbers listed below.

Max Ceiling Thickness: 1.5 (38.1 mm)
 Ceiling Cutout: 3.9 ø (99.1 mm ø)
 Fixture Weight: 3.85 lbs

KELVIN°	WATTAGE	LUMENS
27K°	7W	175
31K°	7W	185
35K°	7W	200
41K°	7W	245
55K°	7W	280



SERIES	LED	KELVIN	BEAM	VOLTAGE	OPTIONS	TRIM / FINISH	TRIM OPTIONS
SGE3LED-Spectrum Infinium 3" LED Downlight	7w	27K -2700° Kelvin 31K -3100° Kelvin 35K -3500° Kelvin 41K -4100° Kelvin 55K -5500° Kelvin	ND MD WD	E1 -120 Volt	BH6 -Expandable Bar Hangers, 6" - 12" BH12 -Expandable Bar Hangers, 12" - 24" CB24 -C-Channel bars 1-470 CCEA -Chicago Ceiling Plenum CCEA 1-480 CR -Corrosion Resistant 1-460 PR -Plaster Ring 1-430 TBC -T-bar clips 1-475	AR4266-MW -Matte White (standard) SG -Semi-Diffuse Low Iridescent HZ -Matte Low Iridescent WE -Wheat Alzak MB -Matte Black CC -Custom Color PF -Polished Flange WF -White Flange	GS -Gasket SO -Micro Prism Solite™ lens FG -Frosted Glass DEC -Decorative Trim
SGE3LED	7W	31K	MD	E1	CB24	AR4266 SG	GS

Dimensions shown are nominal. Spectrum Lighting is continually improving products and reserves the right to make changes that will not alter performance or appearance with or without written notice.



PROJECT:	TYPE:
CAT. NO.:	

